



**LC501 Series Load Cells
Tension/Compression**

0-100 to 0-100,000 lb
0-450 to 0-450,000 N

1 Newton = 0.2248 lb
1 daNewton = 10 Newtons
1 lb = 454 g
1 t = 1000 kg = 2204 lb

- All Stainless Steel Construction for Harsh Industrial Applications
- 0.25% Interchangeable for Multiple Cell Applications
- 5-Point Calibration Provided
- FM/CSA Approved Intrinsically Safe Standard

\$340

Ranges up to 750 lb

**Accessory TWA Series Self
Adjusting Weigh Modules**

**TWA5 – Nickel Plated
Carbon Steel**

TWA6 – Stainless Steel

Models for Loads from

0-100 to 0-20,000 lb
0-450 to 0-90,000 N

*For Complete Information on
TWA Assemblies Request
OMEGADYNESM FAX
Document #3623*

**For Sales and Service
In U.S.A. and Canada**

**1-800-872-3963SM
1-800-USA-DYNE**

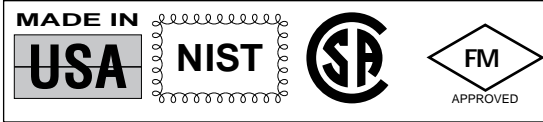
**International Customers Dial
(614) 965-9340
24-Hour FAX (614) 965-9438**

OMEGADYNESM FAX
OMEGADYNE's 24-Hour
On-Line Publishing Service
**1-800-344-3963SM
1-800-DIG-DYNE**
Document # 3615

OMEGADYNE, Inc.
149 Stelzer Court, Sunbury, OH 43074
<http://www.omegadyne.com>
e-mail: info@omegadyne.com



© COPYRIGHT 1996 OMEGADYNE, INC. ALL RIGHTS RESERVED.



SPEC SHEET

LC501

*Interchangeable with
Model TC-SC*

**HIGH ACCURACY STAINLESS
STEEL CANTILEVER BEAMS**
Self Adjusting Weigh Modules Available



Model LC501-20K \$695
Shown Smaller Than Actual Size

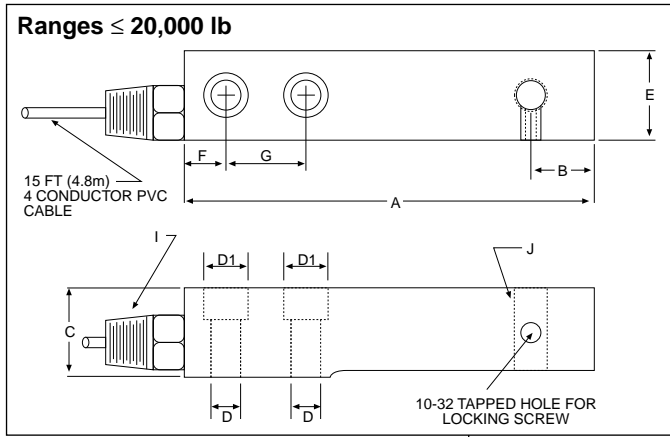


\$560
**Complete Assembly
with Load Cell
Model TWA5-750**
Shown Smaller Than Actual Size



Printed On Recycled Paper

HIGH ACCURACY STAINLESS STEEL CANTILEVER BEAMS

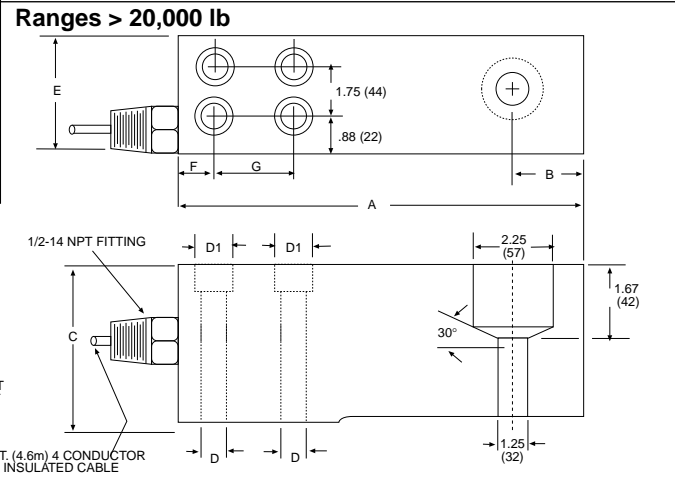


SPECIFICATIONS:

Output: 3 mV/V ±.0075 mV/V
Excitation: 10 Vdc, 15 Vdc max
Accuracy Class: 0.03% FSO
 Calibrated at: 0%, 50%, 100% 50%, 0%
Linearity: 0.03% FSO
Hysteresis: 0.02% FSO
Repeatability: 0.02% FSO
Zero Balance: ±1% FSO
Agency Approvals: FM/CSA
 Intrinsically Safe IS/I.II.III/1/CDEFG
Operating Temp. Range:
 -34 to 82°C (-30 to 180°F)
Compensated Temp. Range:
 16 to 71°C (60 to 160°F)
Thermal Effects: Zero: 0.0015%
 FSO/°F Span: 0.0008% Rdg/F
Safe Overload: 150% of Capacity
Ultimate Overload: 300% of Capacity
Input Resistance: 360 ohms minimum
Output Resistance: 350 ±5 ohms
FS Deflection: .02" (0.5mm) typical
Construction: 17-4 PH Stainless Steel,
 >20,000lb, High Alloy Steel
Electrical: 15 ft (4.8m), 4 conductor
 shielded PVC, cable

Dimensions Shown in Inches (mm)

WIRING CODE
 RED +INPUT
 BLACK -INPUT
 GREEN +OUTPUT
 WHITE -OUTPUT
 YELLOW SHIELD



Dimensions Shown in Inches (mm)

Capacity (lb)	A	B	C	D	D1	E	F	G	I	J	Weight lb (kg)
100-750	4.75 (121)	.75 (19)	1.0 (25)	.39 (9.9)	.59 (15)	1.0 (25)	.50 (13)	1.0 (25)	¾-18 NPT	½-20	2 (0.9)
1K-5K	6.75 (173)	1.0 (25)	1.5 (38)	.53 (13)	.77 (20)	1.5 (38)	.50 (13)	1.5 (38)	½-14 NPT	½-20	4 (1.8)
10K	7.75 (197)	1.0 (25)	1.5 (38)	.77 (20)	n/a	1.5 (38)	.75 (19)	2.0 (51)	½-14 NPT	¾-16	5 (2.3)
20K	9.50 (241)	1.0 (25)	2.5 (64)	.77 (20)	n/a	2.0 (51)	1.00 (25)	2.25 (57)	½-14 NPT	1-12	11 (5)
50K-100K	13.00 (330)	2.0 (51)	4.0 (102)	1.03 (26)	1.56 (40)	3.5 (90)	1.25 (32)	2.75 (70)	½-14 NPT	n/a	42 (19)

► Most Popular Models Highlighted ◀

To Order: (Specify Model Number)

Capacity (lb)	Model Number	Price	Compatible Meters	Load Buttons		Rod Ends		Accessories	
				Load Button Model	Price	Rod End Model	Price	Base Plate Model	Price
±100	LC501-100	\$340	INFW, INFS, INFCS	LBC-012	\$40	REC-012M	\$35	BP-10	\$44
±200	LC501-200	340	INFW, INFS, INFCS	LBC-012	40	REC-012M	35	BP-10	44
±500	LC501-500	340	INFW, INFS, INFCS	LBC-012	40	REC-012M	35	BP-10	44
±750	LC501-750	340	INFW, INFS, INFCS	LBC-012	40	REC-012M	35	BP-10	44
±1,000	LC501-1K	350	INFW, INFS, INFCS	LBC-012	40	REC-012M	35	BP-15	76
±2,000	LC501-2K	350	INFW, INFS, INFCS	LBC-012	40	REC-012M	35	BP-15	76
±5,000	LC501-5K	350	INFW, INFS, INFCS	LBC-012	40	REC-012M	35	BP-15	76
±10,000	LC501-10K	445	INFW, INFS, INFCS	LBC-034	55	REC-034M	65	BP-20	76
±20,000	LC501-20K	695	INFW, INFS, INFCS	LBC-100	55	REC-100M	95	BP-23	80
±50,000	LC501-50K	1160	INFW, INFS, INFCS						
±80,000	LC501-80K	1160	INFW, INFS, INFCS						
±100,000	LC501-100K	1160	INFW, INFS, INFCS						

Interchangeable with Model TC-SC

Metric Ranges Available - Consult Engineering

Note: Base Plates are Nickel plated carbon steel. To order stainless steel Base Plates specify BP-10-SS \$70, BP-15-SS \$144, BP-20-SS \$144, BP-23-SS \$166

Ordering Examples: 1.) LC501-5K is a 5,000 lb capacity load cell, \$350. Optional Rod End: REC-012M, \$35. Optional Base Plate: BP15, \$76. 2.) LC501-100 is a 100 lb capacity load cell, \$340. Optional Rod End: REC-012M, \$35. Optional Base Plate: BP10 \$44. 3.) LC501-20K is a 20,000 lb capacity load cell, \$695. Optional Load Button: LBC-100, \$55. Optional Base Plate: BP23, \$80.